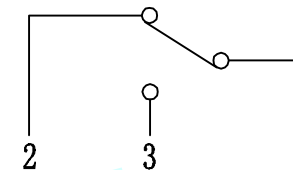
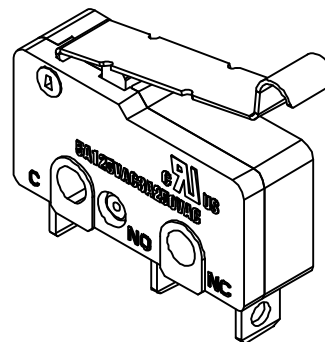
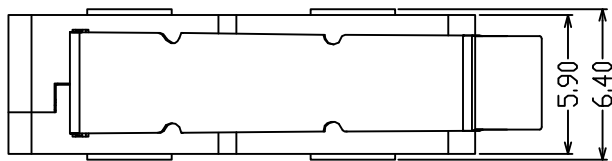
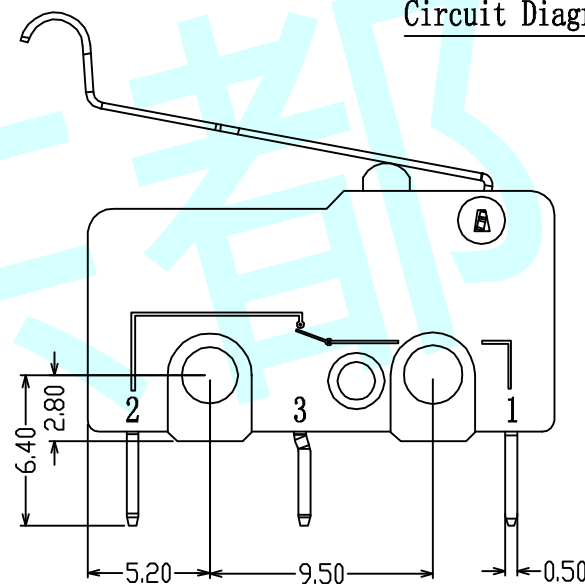
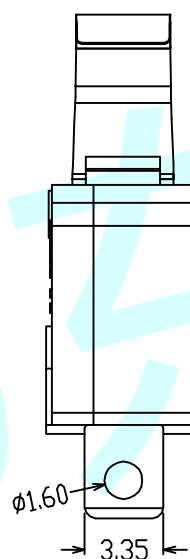
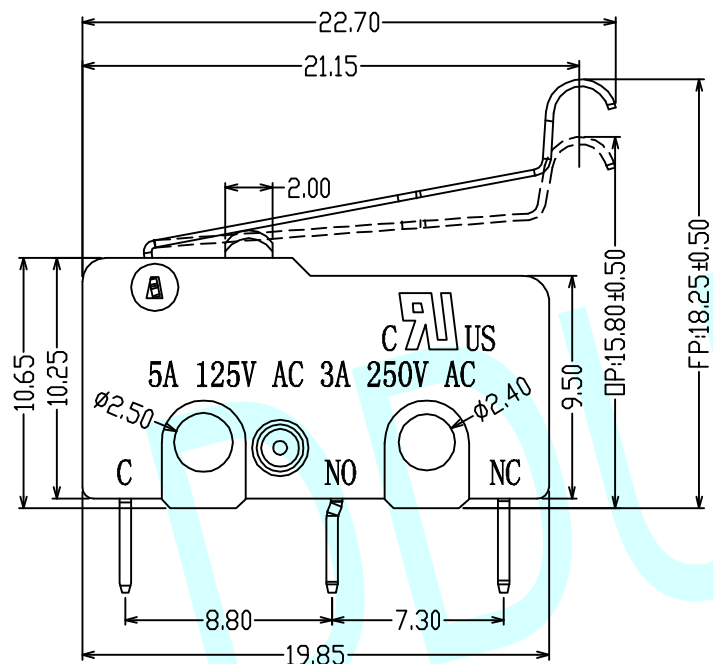


ROHS


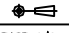


Circuit Diagram



NOTES:

1. Rating :AC 125V 5A/250V 3A
2. Operating Froce : $25 \pm 10$ gf
3. Electrical Life:6000~10,000 cycles

APPROVALS		DATE	http://www.dongdudz.com		 <b>® 东都电子</b> DONGDU ELECTRONICS
DRAW:	ZRD	2017-12-6	TOLERANCE:	ANGLE:	
CHECKED:	***	****	30 <sup>≥</sup>	±0.30	±2°
APPOVALS:	***	****	10 <sup>~</sup> 30	±0.20	
			5 <sup>~</sup> 10	±0.15	
			≤5	±0.10	
MODEL:	MICRO SWITCHES		UNIT :mm	SCALE:1:1	
PART NO:	DDU-1709		REV:	A	PAGE:1/1