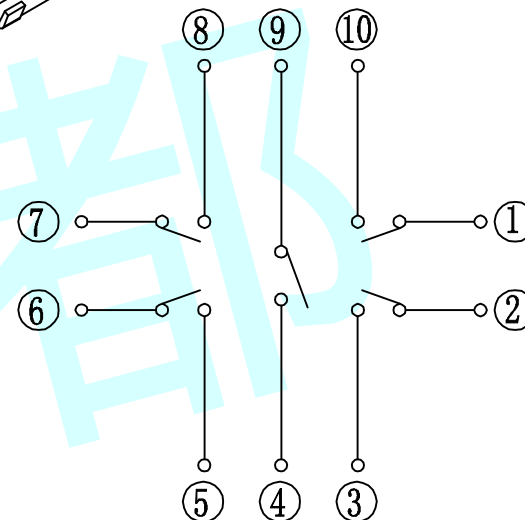
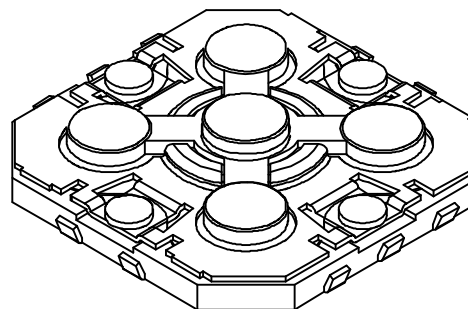
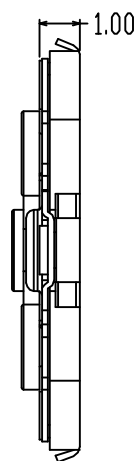
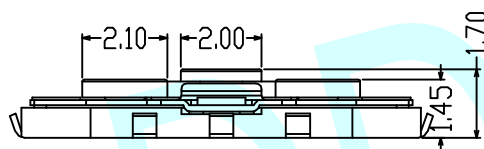
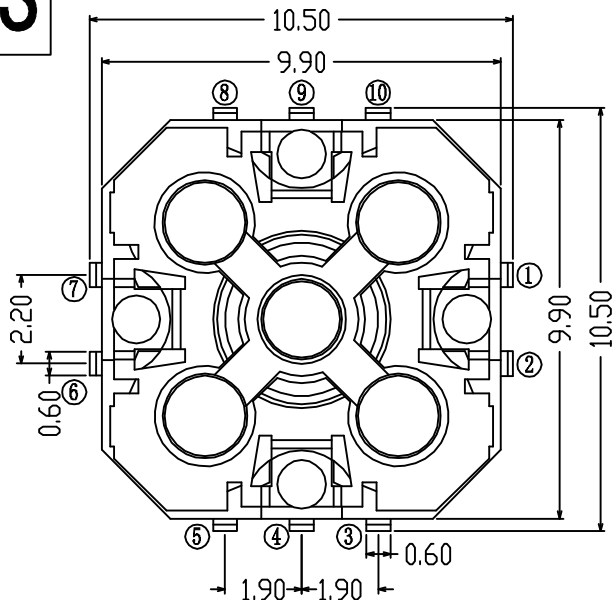


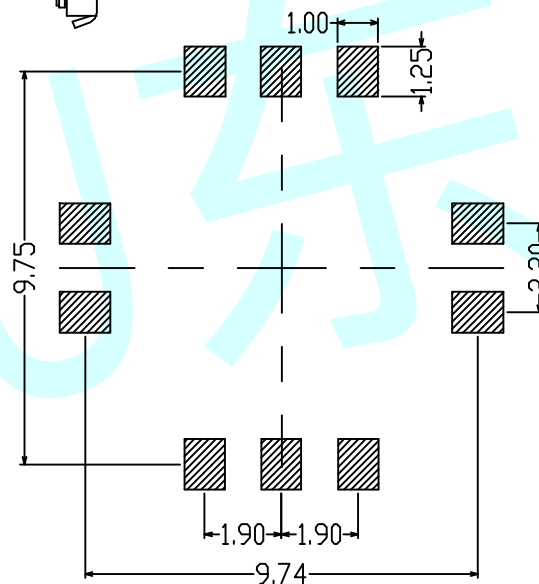
**ROHS**




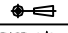
Circuit Diagram

**NOTES:**

1. Rating :DC 12V 100mA
2. Contact Resistance :80mΩ MAX
3. Insulation Resistance :100mΩ MIN
4. Mechanical Life :50,000 Cycles MIN
5. Electrical Life :50,000Cycles MIN
6. Ambient Temper. used :-25℃~85℃
7. Ambient Humidity Used:85% RH
8. Operating Forec:  
 4-Direction 180±35gf  
 Center Oush 180±35gf



PCB Layout (Pattern Side)

APPROVALS		DATE	http://www.dongdudz.com		 <b>东都电子</b> DONGDU ELECTRONICS	
DRAW:	ZRD	2017-12-6	TOLERANCE:	ANGLE:		
CHECKED:	***	****	30≥	±0.30		±2°
APPOVALS:	***	****	10~30	±0.20		
			5~10	±0.15		
			≤5	±0.10		
MODBL:	ROCKER SWITCH		UNIT :mm	SCALE:1:1		
PART NO:	DDU-1230		REV:	A	PAGE:1/1	